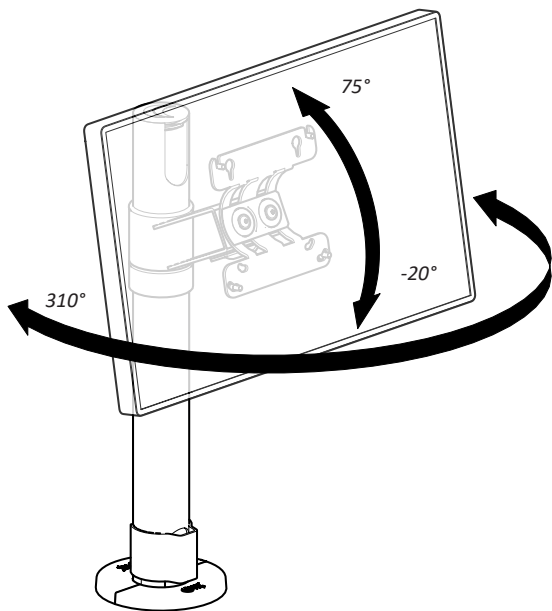

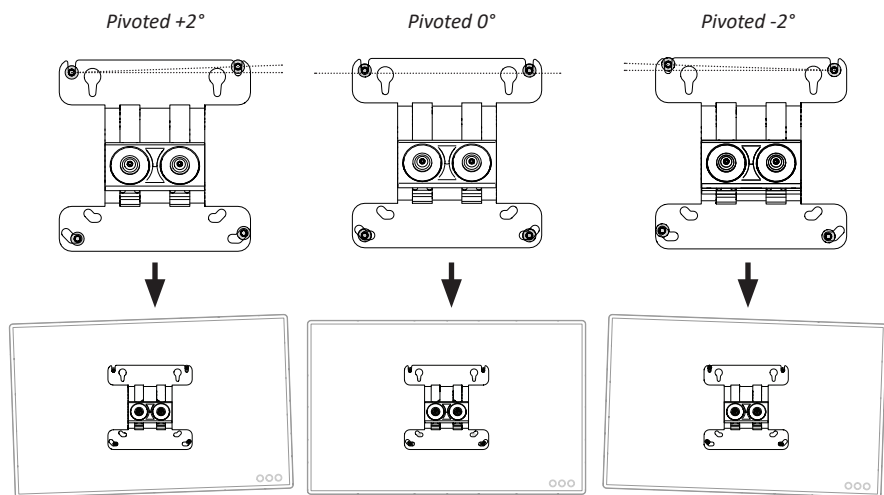


Screen adjustments



 Cable is not illustrated to improve images' clarity.

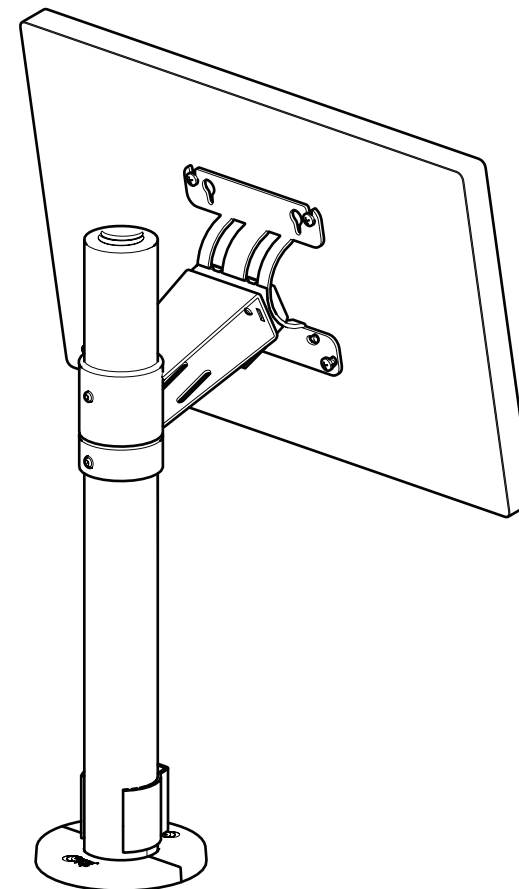
VESA Pivot Adjustability



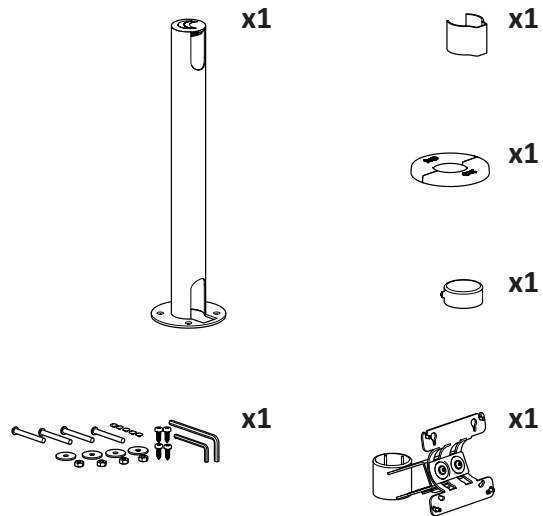
Essentials Installation Guide

SPV1301

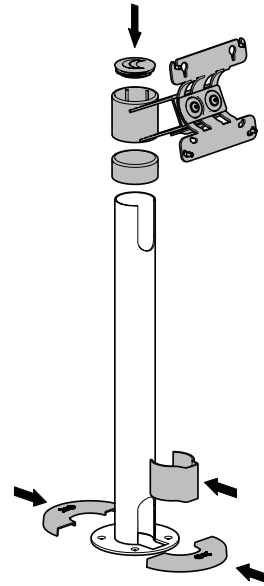
SpacePole Arc® VESA 75/100 Pole Mount



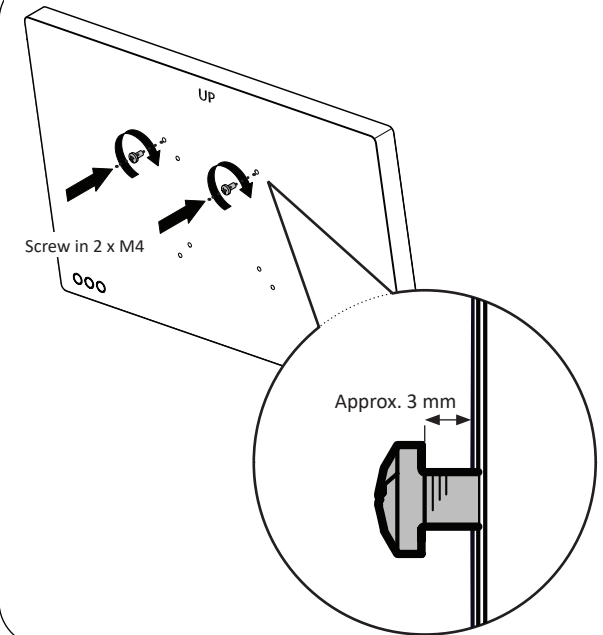
Box Content



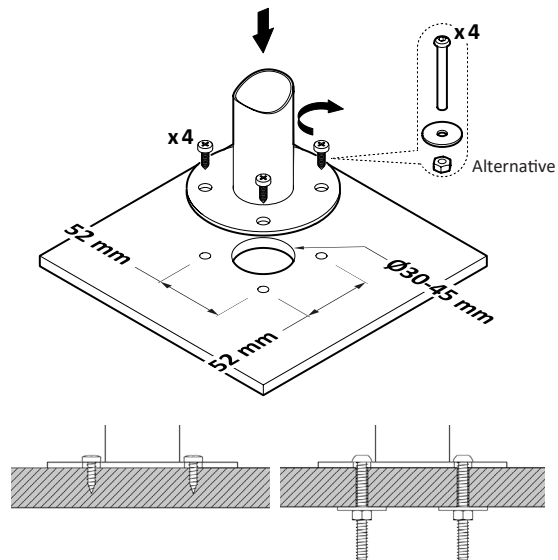
2 Install screen mount



3 Select screws and mount on screen

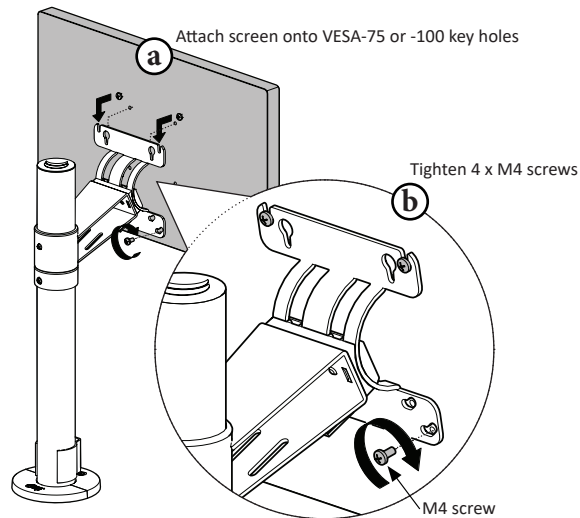


1 Pole counter mounting



! For more mounting options see "SpacePole FixingsGuide"

4 Install screen on VESA mount



! Screens can be pivoted $\pm 2^\circ$ - see back page

5 Screen height adjustments

